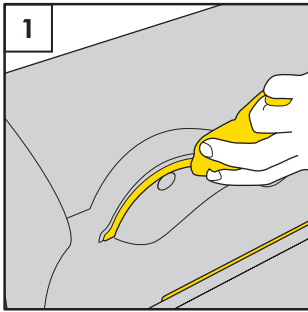
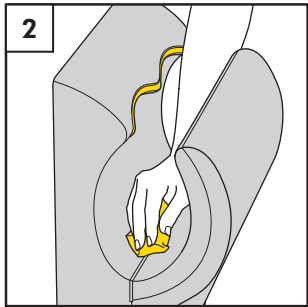


dyson airblade

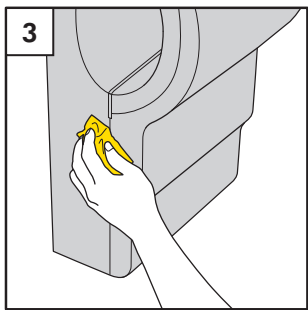
Cleaning should be performed at least daily or as part of the washroom cleaning regime using a cloth or soft brush.



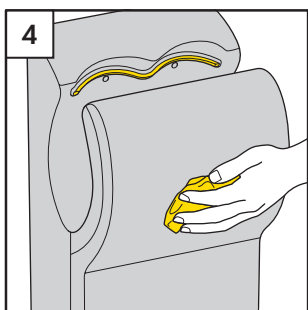
1 Clean the edges of the air slots.



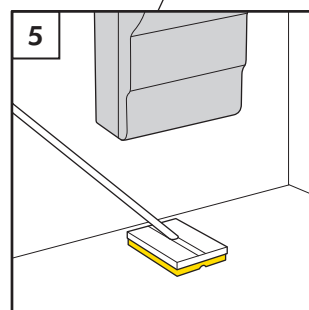
2 Particular attention should be paid to the seals.



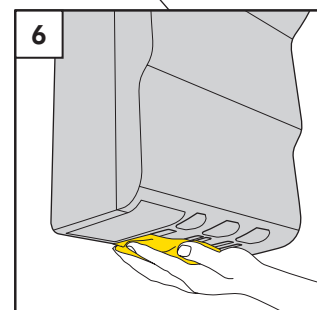
3 Clean the sides of the machine.



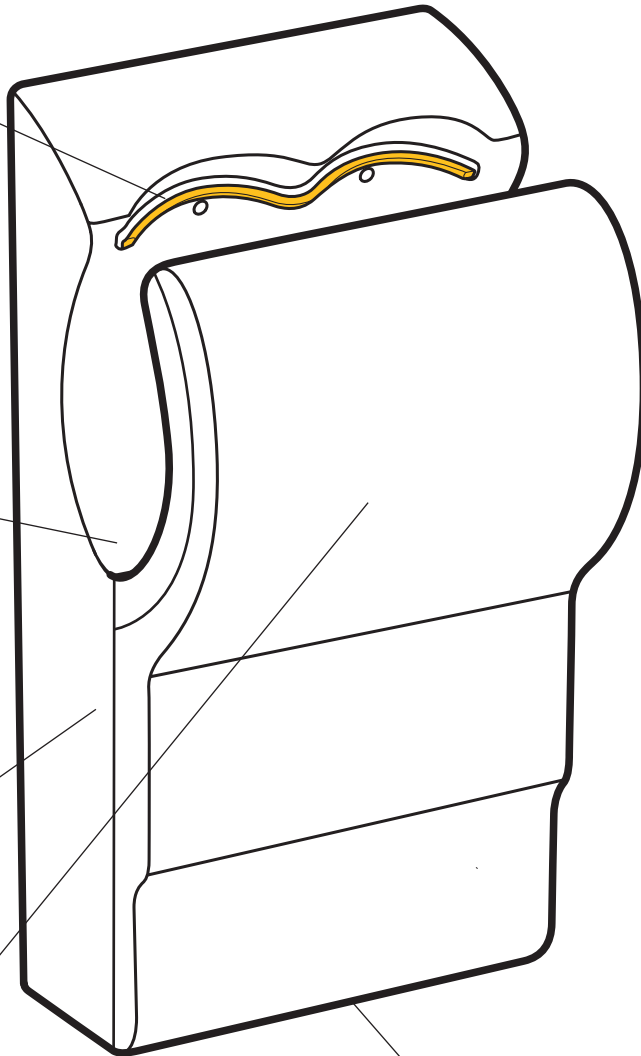
4 Wipe all surfaces with a soft cloth and non abrasive cleaner.



5 Clean the floor beneath and around the machine.



6 Clean the air inlet on base **REGULARLY**.



DO NOT USE BLEACH OR ABRASIVE CLEANERS